

GCL-P6/60

Q series

HIGH EFFICIENCY
MULTICRYSTALLINE MODULE

• GCL-P6/60250



Anti PID



Excellent module efficiency up to 19%
from world leading wafer and cell production facilities



Positive power tolerance +5%



Nano coating reduces dust and dirt build up for maximum generation



Swiss Re-insurance provides 100% non-cancellable,
comprehensive warranty insurance



Salt-mist tested for coastal and high humidity installations



World class production facilities exceeding
ISO9001 and ISO14001

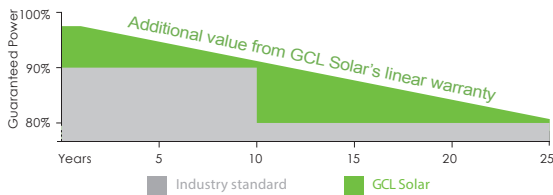
10
years
PRODUCT WARRANTY

25
years
LINEAR POWER WARRANTY

250^W
UP TO POWER OUTPUT

15.4%
UP TO EFFICIENCY

LINEAR PERFORMANCE WARRANTY



GCL SYSTEM INTEGRATION <http://www.gclsi.com>



Bringing Green Power to Life

GCL-P6/60

HIGH EFFICIENCY MULTICRYSTALLINE MODULE

ELECTRICAL SPECIFICATION (STC)

Peak Power Watts	P _m (W)	250
Power Output Tolerance	P _m (%)	0-3
Maximum Power Voltage	V _m (V)	30.4
Maximum Power Current	I _m (A)	8.26
Open Circuit Voltage	V _{oc} (V)	37.5
Short Circuit Current	I _{sc} (A)	8.86
Module Efficiency	(%)	15.2

Values at Standard Test Conditions STC (Air Mass AM1.5, Irradiance 1000W/m², Cell Temperature 25° C).

ELECTRICAL DATA (NOCT)

Maximum Power	P _m (W)	192
Power Output Tolerance	P _m (%)	0-3
Maximum Power Voltage	V _m (V)	27.8
Maximum Power Current	I _m (A)	6.94
Open Circuit Voltage	V _{oc} (V)	35.1
Short Circuit Current	I _{sc} (A)	7.46

NOCT: Irradiance at 800W/m², Ambient Temperature 20° C, Wind Speed 1m/s.

MECHANICAL DATA

Solar Cells	Multicrystalline 156x156mm (6 inches)
Cell Orientation	60 Cells (6x10)
Module Dimensions	1640x992x40mm (64.56 x 39.05 x 1.57 inches)
Weight	18.5KG
Glass	High transparency solar glass 3.2mm (0.13 inches)
Backsheet	White
Frame	Anodized aluminium alloy
J-Box	IP67 Rated
Cables	Photovoltaic Technology cable 4.0mm ² (0.006 inches ²), 900mm (35.4 inches)
Connector	Genuine MC4

TEMPERATURE RATINGS

Nominal Operating Cell Temperature (NOCT)	45±2°C
Temperature Coefficient of P _{MAX}	-0.43% /°C
Temperature Coefficient of V _{oc}	-0.35% /°C
Temperature Coefficient of I _{sc}	0.04% /°C

MAXIMUM RATINGS

Operational Temperature	-40~+85°C
Maximum System Voltage	1000V DC(IEC)
Max Series Fuse Rating	15A

WARRANTY

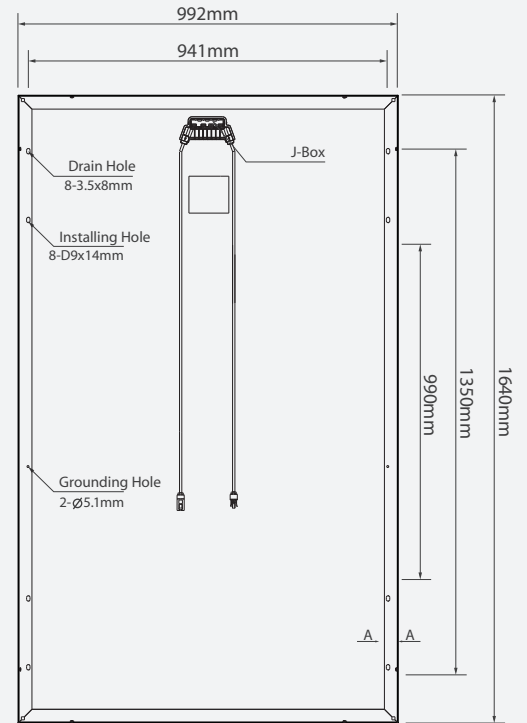
10 years Product Workmanship Warranty
25 years linear Power Warranty

(Please refer to GCL standard warranty for details)

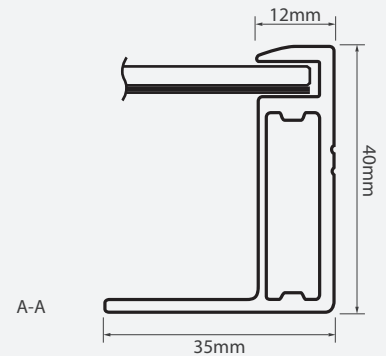
PACKAGING CONFIGURATION

Modules per box: 26 pieces
Modules per 40' container: 728 pieces

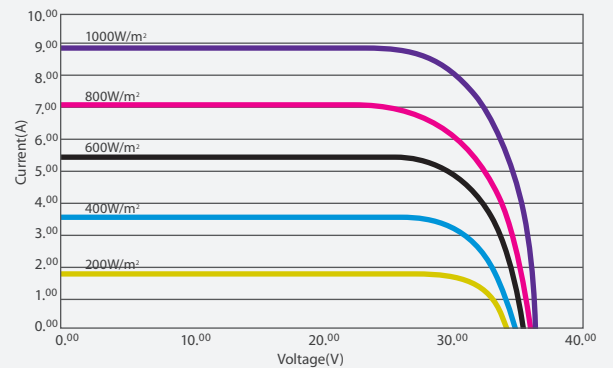
DIMENSIONS OF MODULE



Back View



I-V CURVES OF MODULE



Excellent performance under weak light conditions: at an irradiation intensity of 200W/m² W/m(AM 1.5, 25° C), 95.5% or higher of the STC efficiency (1000 W/m²) is achieved



Bringing Green Power to Life

GCL-201504-V1

CAUTION: READ INSTALLATION MANUAL BEFORE USING THE PRODUCT

©2015 GCL System Intergration Technology Co., Ltd. All rights reserved. Specifications included in this datasheet are subject to change without notice.